



POLYSTO
strong in hygienic construction



Tested to the max

We provide the strongest solution for your clean and hygienic facility project!

www.polysto.com



Embossed ←

Smooth glossy or matte ←

FRP walls & ceilings

FRP sheets and panels are a practical and reliable building material for modern hygienic construction projects. Constructed from **Fiberglass Reinforced Polyester**, our sheets and panels provide high strength and durability. With their resistance to rust, decay, and minimal maintenance requirements, FRP is the ideal alternative to traditional materials. Suitable for various applications, including walls, ceilings, and cladding. FRP sheets and panels are a sound choice for those seeking an efficient and long-lasting construction solution.



Food safe



Chemical resistant



Bacteriostatic



Water resistant



Strong



Quick and easy to install



Non-corrosive



High pressure cleaning



Embossed FRP sheets for wall and ceiling renovation.



Smooth HygiWall box-in-box construction.



Foam cleaning of embossed FRP walls.



FRP sheet

Polyester sheet for the hygienic and durable protection of walls and ceilings.



RenoCem

High impact fibre cement based FRP panel, perfect to renovate your walls in poor condition or for rooms where a high fire resistance or thermal stability is required.



HygiWall

1 or 2 sided laminated FRP sandwich panel (PIR or mineral wool core) for separation of walls, ceilings and box-in-box constructions.



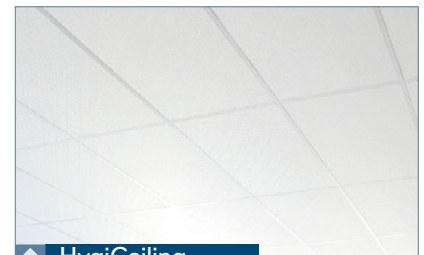
InsuPanel

PIR insulation 1 sided laminated panel for walls and ceilings. Ideal for renovation and new-build where additional insulation is required.



RenoPanel

Light-weight polypropylene based FRP panel with connection omega-profile for ceilings.



HygiCeiling

Hygienic and washable FRP ceiling tiles for suspended ceilings.

Our standard solutions are available from stock or can be tailored to your project on request.

Hygienic kerbs and skirtings

Hygienic and clean areas in the food, pharma, life science and health sector need specific interior designs to reduce risk of contamination like Listeria and salmonella. PolySto, made in Belgium, **Europe's market leader** in hygienic impact protection meets that requirement. Our prefab CleanRock kerbs and covered skirtings offer maximum protection thanks to their **hygienic design** and **high impact strength** against mechanical impact.

CleanRock

CleanRock is the **patented core material** used in PolySto kerbs. The composition has been developed based on more than 30 years of experience in the food processing industry. Prefabricated **CleanRock** kerbs are composed of a mixture of polyester resins, quartz granulates and additives. The unique composition allows to prevent contaminations with Salmonella and Listeria. **CleanRock** is ideal for food safe environments that have to comply with HACCP, EU, USDA, GFSI (Global Food Safety Standard Initiative), BRC and other food safety standards.

Other **unique features** are:



Food safe



Chemical resistant



Water resistant



Strong



Quick and easy to install



Optimal cost of ownership



Reparable



Prefab system

3 types of **surfaces**:

Natural



Strong and durable CleanRock kerb with a monolithic and smooth surface.

Sanicoat



High-care CleanRock kerb with smooth gelcoat to provide extra protection against aggressive chemicals

Stainless steel



1,2 mm 1.4306 horizontal brushed stainless steel with concrete core



Impact classes:

1



No impact

2



Kerb thickness 33 mm
Manual trolleys up to 200 kg

3



Kerb thickness 60 mm
Pallet trucks up to 900 kg

4



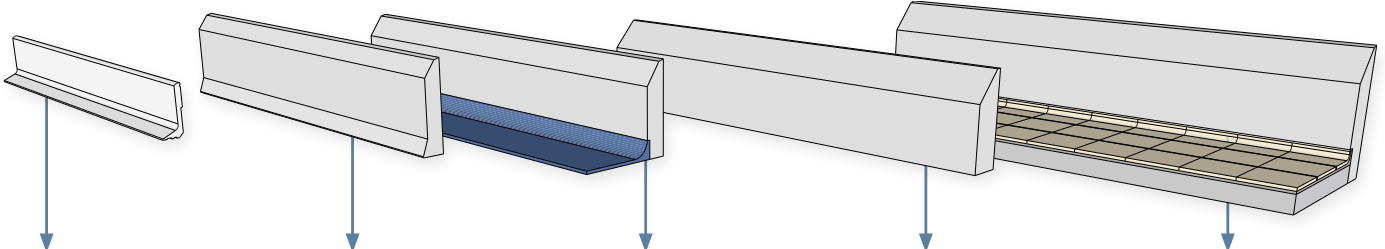
Kerb thickness 100 mm
Electric pallet trucks up to 1.500 kg

5



Kerb thickness 100 mm. Engine driven pallet trucks up to 4.000 kg. Max speed 5 km/h. Kerbs need to be anchored.

5 **versions**:



Full core PVC skirtings

- Polished concrete floors
- Liquid floors
- Cast resin floors
- Troweled floors
- Tile floors

F-type (Foot)

- Polished concrete floors
- Liquid floors
- Cast resin floors
- Troweled floors
- Tile floors

RB-type (Rebate)

- Cast resin floors
- Troweled floors
- Vinyl and liquid floors

R-type (Straight)

- Freezers and low-care logistic areas
- Polished concrete floors
- Liquid floors
- Cast resin & troweled floors

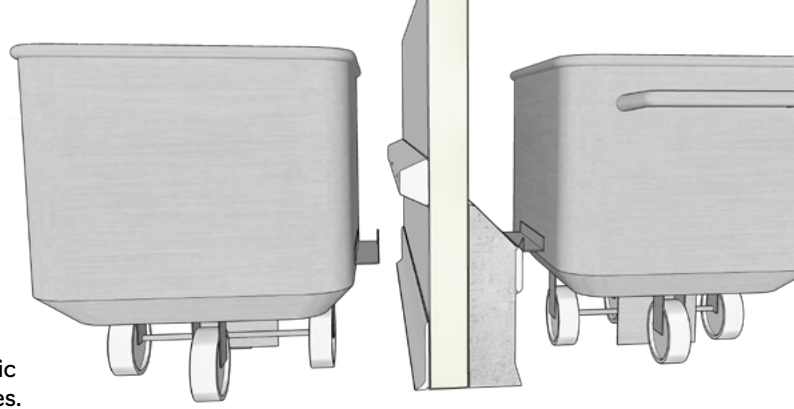
RBT-type (Rebate tile)

- Designed for tile floors
- Suitable for troweled floors

Experts in hygienic design and construction materials for over 30 years in more than 99 countries.

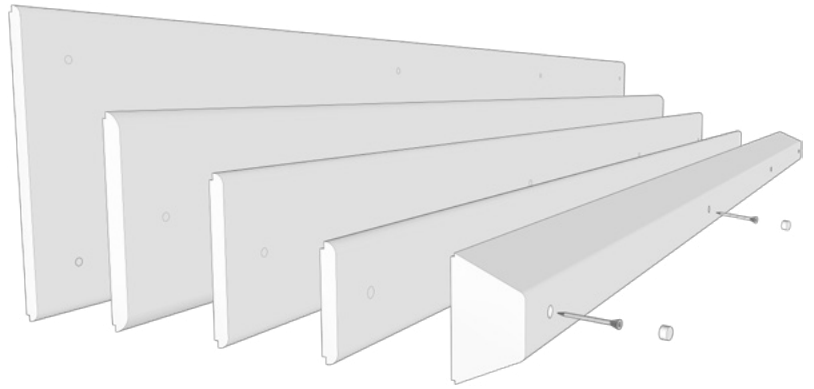
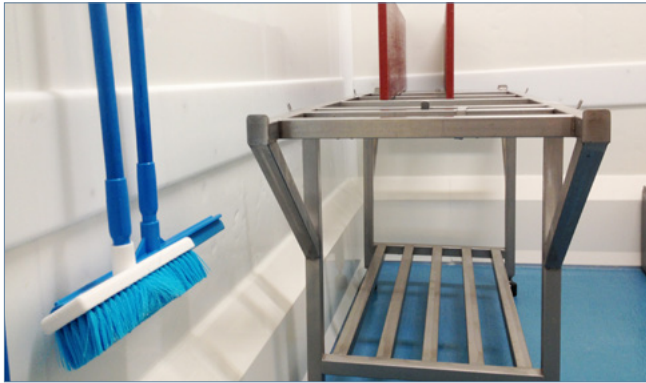
Extreme impact

A polyethylene strip installed on the front side of the kerb is the perfect **heavy impact protection** for areas with high internal traffic and constant impacts. In particular Euronorm bins with sharp edges.



Polyethylene wall ledges

High density PE500 wall ledges, ideal to protect your walls at different heights. Available in other sizes and colours.



Stainless steel bollards & barriers

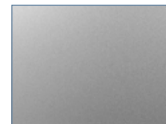
Impact classes:

2
Ø 60mm - manual trolleys up to 200 kg

3
Ø 89 and 104 mm - Pallet trucks up to 900 kg

4
Ø 154mm - electric pallet trucks up to 1.500 kg

5
Ø 204mm - Engine driven pallet trucks up to 4.000 kg. Max speed 5 km/h



Standard glass bead blasted surface for the best hygienic finish



Optional Brushed K320



Glue and sealants

PolySto HygiSeal 3.1:

- 1-component MS-Polymer
- Isocyanate free
- Natural mould resistant
- Strongly reduces risk of bacterial contamination
- resistant to high-pressure cleaning
- Chemical resistant



PolySto Hard Fix Glue:

- Isocyanate free
- High-tack
- MS-hybrid glue



PolySto Food safe silicone:

- Neutral silicone
- Extra spectrum fungicide



HygiSeal 3.1 is our latest innovation in the field of chemical welding, specifically designed for joints using a single-component hybrid sealant. HygiSeal joints create a **seamless**, enduring, and **fungus-repellent** connection between PolySto components, as well as between floors and walls. Engineered to withstand the challenges of **high-pressure cleaning**, these joints retain their **durability** even when exposed to the most demanding cleaning processes.

The unique composition of HygiSeal 3.1 provides a hard and smooth surface, which significantly **reduces bacterial adhesion** compared to traditional food-safe silicones. HygiSeal is the perfect solution for industries that demand strict hygiene standards.



Extended product range



◆ HygiCrystal

Custom made hygienic clip and flush windows.



◆ HygiDoor

Custom made hygienic FRP doors (hygienic doors, Cold room and swing doors) or standard galvanised doors and frames.



◆ HygiLight

Hygienic LED light fixtures (from IP20 to IP66) for general use and clean rooms.



◆ LED strips

Silicone coated, waterproof, food safe LED strips (IP68) for general use and clean rooms.



PolySto Group BV is always looking for dedicated partners and installation companies throughout the world.

To achieve the label 'master installer' we offer specific training sessions in our academy.

Contact us for more information.

Distributed by



Where are we active?

- › Bakery
- › Beverage
- › Catering
- › Chemicals
- › Confectionary
- › Cosmetics
- › Dairy

- › Electronics
- › Fish processing
- › Food logistics
- › Food retail and supermarkets
- › Freezers
- › Hatcheries
- › Hospitals

- › Kitchen and catering
- › Meat processing
- › Pharma
- › Poultry processing
- › Ready meals
- › Slaughterhouses
- › Vegetables and fruit

and many more

POLYSTO GROUP BV
Maesbossen 3
9160 Lokeren
Belgium

Tel: +32 (0) 9 33 77 66 0

info@polysto.com
www.polysto.com

conditions of sales - verkoopsvoorwaarden - conditions de vente - verkaufsbedingungen

www.polysto.com